



## RAMP SAFETY

### Scotgrip® HD Anti-Slip Safegrip® Pipe, Cable & Hose Ramps

Scotgrip® HD anti-slip Safegrip® pipe, cable & hose ramps incorporate the unique Scotgrip® high-traction anti-slip safety surface which gives a sound foot-holding in the most extreme conditions. These heavy duty, tough and durable products are manufactured under BS EN ISO 9001:2015 quality controlled conditions comprising of a reinforced composite base and a graded aggregate surface. As a Scotgrip® quality standard, these products are fire rated, spark and friction tested.

Scotgrip® HD Safegrip® ramps are designed to be placed over the potential hazards of pipes, cables and hoses in the workplace. These products are lightweight for easy manual handling and can be used as a temporary measure or as a more permanent fixture. If required, we can incorporate protruding steel plates which can be welded to the deck as a permanent fixture. Scotgrip® HD Safegrip® ramps have been designed for pedestrian and light equipment use only.

- Eliminates 'Slips and Trips'
- Cost effective
- High traction anti-slip safety products
- Tough and durable
- Standard sizes and custom made
- Fully guaranteed
- Fire rated, spark and friction tested
- Non corrosive
- Easy to fit / lightweight construction
- Reflects positively on personnel performance

*Step into a safer environment with Scotgrip®*



**PRODUCT DESCRIPTION**

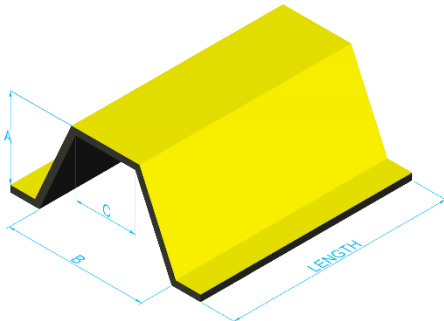
 Scotgrip® HD Safegrip® Single Pipe Ramp  
 Scotgrip® HD Safegrip® Double Pipe Ramp

**CODE**

 SSR  
 SDR

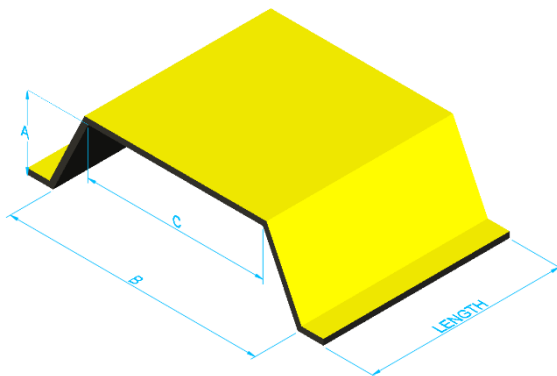
**HIGH-TRACTION ANTI-SLIP**

Scotgrip® HD Safegrip® ramp products will provide a sound foot-holding even in the most extreme conditions and will eliminate 'Slips and Trips' in your working environment.

**SAFEGRIP® SSR RAMPS (SINGLE)**


The sketch above has been scaled down in length to indicate dimensions clearly. The standard length of these ramps is 1m (40").

Pipe/Hose Sizes		Weight		A		B		C		Order code
		kg	lbs	mm	inch	mm	inch	mm	inch	
12.5mm	½"	2	4.4	11	½"	63	2½"	30	1¾"	SSR12.5
25mm	1"	2	4.4	33	1½"	100	4"	40	1¾"	SSR25
50mm	2"	3	6.6	62	2½"	100	4"	45	1¾"	SSR50
100mm	4"	3.5	7.7	111	4½"	180	7"	75	3"	SSR100
150mm	6"	7	15.4	165	6½"	250	10"	110	4½"	SSR150
200mm	8"	16	35.2	222	8¾"	346	13½"	143	5½"	SSR200

**SAFEGRIP® SDR RAMPS (DOUBLE)**


The sketch above has been scaled down in length to indicate dimensions clearly. The standard length of these ramps is 1m (40").

Pipe/Hose Sizes		Weight		A		B		C		Order code
		kg	lbs	mm	inch	mm	inch	mm	inch	
12.5mm	½"	2	4.4	20	¾"	64	2½"	45	1¾"	SDR12.5
25mm	1"	3	6.61	34	1½"	90	3½"	68	2½"	SDR25
50mm	2"	3.5	7.72	63	2½"	150	5½"	210	8¼"	SDR50
100mm	4"	7.5	16.5	110	4½"	270	10¾"	200	7¾"	SDR100
150mm	6"	10	22	161	6½"	387	15¾"	292	11½"	SDR150
200mm	8"	20	44	204	8"	500	19½"	382	15"	SDR200

**SURFACE GRADE**

Fine Profile (coarse) – 1mm aggregate (1/16" approx.)

**HIGHLY VISIBLE**

 Colour coded in a wide range of colour schemes to suit individual locations.  
 Colour codes are: Safety yellow, black/safety yellow, black, green, grey, blue, red, white.  
 Photoluminescent marking is available  
 Other colours available – please ask

**HEAVY DUTY**

Scotgrip® HD Safegrip® ramp products are extremely durable and will remain highly effective for many years.

**STANDARD SIZES OR TO CUSTOMER SPECIFICATION**

Scotgrip® HD Safegrip® ramp products are manufactured in a wide range of standard sizes (see table opposite). We regularly manufacture custom bridges/ramps to suit individual locations.

**SAFETY MESSAGES/INFORMATION**

Scotgrip® SignAlert® can be added to any of our Safegrip® range of ramps. Safety messages are proven to be an effective method of warning personnel of any hazards or hazardous areas they may be exposed to. Safety messages can be of any description and can even incorporate the clients company logo.

**EASE OF INSTALLATION**

Scotgrip® HD Safegrip® ramps can be placed into position quickly and easily due to their lightweight construction. Scotgrip® Safegrip® ramps have been designed for pedestrian and light equipment use only. If necessary weld tags can be built into the product at manufacturing stage.

**QUALITY – IT'S WHAT DRIVES US**

All Scotgrip® HD safety products are manufactured under BS EN ISO 9001:2015 quality controlled conditions using highly compatible raw materials at our premises in Banchory, UK.

**FURTHER SCOTGRIP PRODUCTS**

 If you would like to view the full Scotgrip® HD anti-slip & polyurethane safety product range, please look at our website: [www.scotgrip.com](http://www.scotgrip.com) where you will find all of our available products and details.

 Manufacturer: Scotgrip (UK) Limited  
 Country of Origin: Scotland, UK

 For further information or enquiries please contact us at [info@scotgrip.com](mailto:info@scotgrip.com)
**UK Office (HQ)**  
**Scotgrip (UK) Limited**  
 Silverbank Industrial Estate  
 North Deeside Road, Banchory,  
 Kincardineshire, AB31 5YR  
 Scotland, UK  
 Tel: +44 (0) 1330 825335

**U.S. Office (Sales)**  
**Scotgrip (UK) Limited**  
 Westchase Center  
 2500 City West Boulevard  
 Suite 300, Houston  
 TX, 77042, USA  
 Tel: +1 (713) 267 2243

**Norway Office (Sales)**  
**Norsk Industrivern AS**  
 Skurvebakkane 32  
 N-4330, Algard  
 Norway  
 Tel: +47 5171 5600