

RIG FLOOR SAFETY

Scotgrip® HD Drillmate® Anti-Slip Drill Floor Tile

Scotgrip® HD Drillmate® anti-slip Drill Floor Tiles incorporate the unique Scotgrip® high-traction anti-slip safety surface which gives a sound foot-holding in the most extreme conditions. These heavy duty, tough and durable products are manufactured under BS EN ISO 9001:2015 quality controlled conditions comprising of a reinforced composite base and a graded aggregate surface. As a Scotgrip® quality standard, these products are fire rated, spark and friction tested.

Drill floors are quite acceptable when dry but can become extremely dangerous when wet, soiled or painted. By installing Scotgrip® HD Drillmate® tiles not only is this slip hazard eliminated but the lifespan of the underlying structure is greatly increased. These heavy duty products are secured by mechanical fixings or welding. This unique safety product can be manufactured with built in protruding steel plates around the perimeter of the tile. These plates are positioned in such a way that If more than one tile is fitted they can be butted up together by means of interlocking protruding steel plates.

- Eliminates 'Slips and Trips'
- Cost effective
- High traction anti-slip safety products
- Tough and durable
- Standard sizes and custom made
- Fully guaranteed
- Fire rated, spark and friction tested
- Non corrosive
- Easy to fit over existing drill floors
- Reflects positively on personnel performance

Step into a safer environment with Scotgrip®



PRODUCT DESCRIPTION
 Scotgrip® HD Drillmate® Anti-Slip Drill Floor Tile

CODE
 SDM

HIGH-TRACTION ANTI-SLIP

Scotgrip® HD Drillmate® Tiles will provide a sound foot-holding even in the most extreme conditions and will eliminate 'Slips and Trips' in your working environment.

FITTING DATA

| Fitting onto: | Method: |
|---------------------|--|
| Open grating/grille | Type 'S' fixings (Saddle clip assemblies) |
| Metal deck | Self tap screws or nut, bolt and washer. By welding the protruding weld plates (if chosen), Scotgrip weld assemblies |
| Concrete | HPS impact fixings |
| Wood | Screws |

We recommend our own fastening systems for securing Scotgrip® HD anti-slip safety products.

SURFACE GRADE

High Profile (super coarse) – 6mm aggregate (1/4" approx.)

HIGHLY VISIBLE

Colour coded in a wide range of colour schemes to suit individual locations.
 Colour codes are: Safety yellow, black/safety yellow, black, green, grey, blue, red, white.
 Photoluminescent marking is available
 Other colours available – please ask

HEAVY DUTY

Scotgrip® HD Drillmate® Tiles are extremely durable and will remain highly effective for many years.

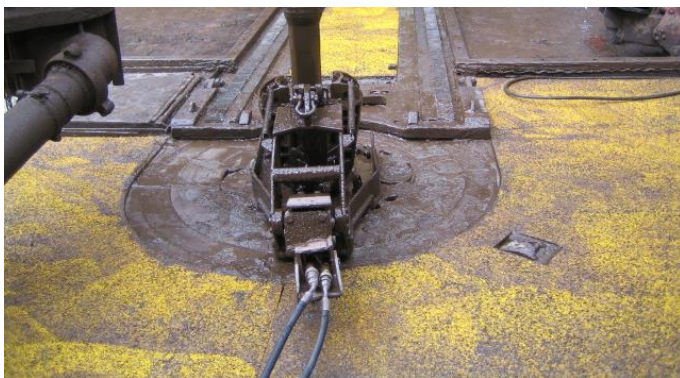
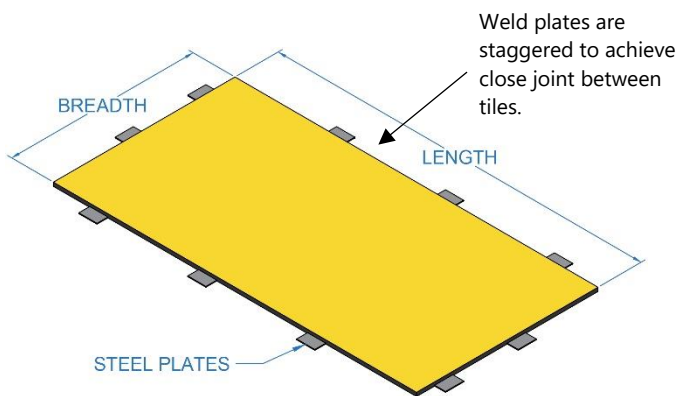
STANDARD SIZES OR TO CUSTOMER SPECIFICATION

Scotgrip® HD Drillmate® Tiles can be supplied in the following sizes and adjusted to suit on site:

- 1.0m x 1.0m (40" x 40")
- 2.0m x 1.0m (80" x 40")
- 2.5m x 1.0m (98" x 40")

For custom manufacture please send a sketch to us with all dimensions and cut-out positions required of your drill floor arrangement.

SDM - WELD PLATE OPTION



EASE OF INSTALLATION

Scotgrip® HD Drillmate® Tiles can be secured to chequered plate, flat steel, open grating/grille or wood by mechanical fixings. Another option is to add protruding steel plates during manufacture. These can be quickly and securely fitted by welding the protruding steel plates onto the steel deck. Scotgrip® products are non-load bearing and must have a suitable underlying structure to be secured to.

QUALITY – IT'S WHAT DRIVES US

All Scotgrip® HD safety products are manufactured under BS EN ISO 9001:2015 quality controlled conditions using highly compatible raw materials at our premises in Banchory, UK.

FURTHER SCOTGRIP PRODUCTS

If you would like to view the full Scotgrip® HD anti-slip & polyurethane safety product range, please look at our website: www.scotgrip.com where you will find all of our available products and details.

For installation details, please go to the technical section of our website: www.scotgrip.com

Manufacturer: Scotgrip (UK) Limited
Country of Origin: Scotland, UK



For further information or enquiries please contact us at info@scotgrip.com

UK Office (HQ)
Scotgrip (UK) Limited
 Silverbank Industrial Estate
 North Deeside Road, Banchory,
 Kincardineshire, AB31 5YR
 Scotland, UK
 Tel: +44 (0) 1330 825335

U.S. Office (Sales)
Scotgrip (UK) Limited
 Westchase Center
 2500 City West Boulevard
 Suite 300, Houston
 TX, 77042, USA
 Tel: +1 (713) 267 2243

Norway Office (Sales)
Norsk Industrivern AS
 Skurvebakkane 32
 N-4330, Algard
 Norway
 Tel: +47 5171 5600